

# HX520



**Configuration:** Long Hood Set-Forward Axle  
**Application:** Truck or Tractor  
**Engine:** Cummins ISX15  
Available late 2016



- ▶ HEAVY HAUL TRACTOR
- ▶ CONSTRUCTION DUMP
- ▶ LOGGING
- ▶ RECOVERY

Whether you're moving fresh-cut timber, transporting bulk aggregate or hauling heavy equipment, the HX520 is built to carry the load. With the relentless power of the Cummins® ISX15 and your choice of double reduction or tridem rear axles up to 70,000 lbs., you know the HX520 has the muscle for the job. The HX520 is built to sustain whatever comes its way, and extensively tested to move you to the head of the class.



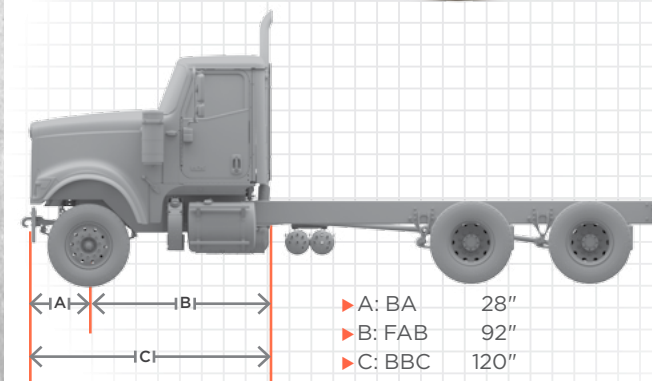




HX520

## KEY FEATURES:

- ▶ Cummins® ISX15 up to 600 HP / 2,050 lb.-ft. of torque
- ▶ Standard all-metal grille with bright surround and bright grille bars
- ▶ Available dual external air cleaners deliver heavy-duty filtration, easy maintenance and long service life
- ▶ The Metton hood provides excellent visibility, superior strength and impressive durability
- ▶ Available bright sun visor, cab skirt and bug deflectors provide functional good looks that last
- ▶ Available, industry-leading 12.5" x 0.5" single frame rail delivers 3.5 million RBM while reducing corrosion
- ▶ Standard Huck-Spin frame and crossmember fasteners deliver superior clamping force that lasts
- ▶ Available 150,000 lb. capacity center tow pin provides assured strength in extreme recovery scenarios



## 120" BBC SET-FORWARD FRONT AXLE

### GVWR

- ▶ 52,000 - 92,000 lbs.

### Hood Design

- ▶ Long Square Metton Hood

### Axle Configurations

- ▶ 6x4
- ▶ 8x6

### Frames

- ▶ Yield: 120,000 PSI
- ▶ RBM: 2,037,600 - 4,450,000 in.-lbs.
- ▶ SM: 16.98 - 37.08 cu. in.

### Engine

- ▶ Cummins ISX15:
  - HP: 450 - 600
  - Torque: 1,650 - 2,050 lb.-ft.

### Transmission

- ▶ Manual: Eaton 8LL - 18-speed
- ▶ Automated: Eaton UltraShift+ VMS, VCS, MXP, VXP
- ▶ Automatic: Allison 4000, 4500, 4700 Series

### Front Axles

- ▶ Meritor: 12,000 - 20,000 lbs.
- ▶ Dana: 16,000 - 20,000 lbs.

### Front Suspensions

- ▶ Multi-Leaf: 20,000 lbs.
- ▶ Parabolic: 12,000 - 20,000 lbs.

### Rear Axles

- ▶ Dana Tandem:
  - Single Speed: 40,000 - 46,000 lbs.
  - Two Speed: 46,000 lbs.
- ▶ Meritor Tandem: 40,000 - 70,000 lbs.
  - Double Reduction: 58,000 - 70,000 lbs.
- ▶ Tridem: 53,000 - 69,000 lbs

### Rear Suspensions

- ▶ Chalmers: 40,000 - 52,000 lbs.
- ▶ Hendrickson RT: 40,000 - 65,000 lbs, RS: 65,000 lbs, R: 80,000 lbs.
- ▶ Hendrickson HMX: 40,000 - 46,000 lbs.
- ▶ Hendrickson HAS: 40,000 - 46,000 lbs.
- ▶ Hendrickson PRIMAAX®: 46,000 - 52,000 lbs.
- ▶ Hendrickson PAX Tridem: 69,000 lbs.

### Exhaust

- ▶ Switchback After Treatment Device: Single or Dual Vertical Stacks
- ▶ Vertical After Treatment Device: Single Vertical Stack

### Electrical

- ▶ Alternator:
  - Bosch: 160 - 200 Amp.
  - Delco Remy: 165 - 300 Amp.
  - Leece-Neville: 210 - 240 Amp.
- ▶ Batteries
  - 1,950 - 3,700 CCAs

### Fuel Tanks

- ▶ 60 - 240 Gallons, Single or Dual, Polished or Non-Polished
- ▶ LH Mounted Under Cab or Dual Under Cab or Back of Cab
- ▶ 24" or 26" Diameter

### Braking and Control Systems

- ▶ Traction Control
- ▶ Electronic Stability Control (ESP)
- ▶ Bendix® Wingman®\*

### Available Recovery Devices

- ▶ Center Tow Pin: 150,000 lbs.
- ▶ Tow Hooks: 80,000 lbs.
- ▶ HD Rear Tow Loop: 80,000 lbs.
- ▶ HD Rear Tow Hooks: 80,000 lbs.

\*Available via custom engineering

**Note:** The information and conclusions contained are believed to be correct at time of publication, but do not necessarily apply to similar vehicles with different specifications or with production dates after the production of this publication. Vehicles with different specifications or later dates of production may yield different results. Vehicle specifications are subject to change without notice. TAD16003 02/2016 ©2016 NAVISTAR Inc. All rights reserved. All marks are trademarks of their respective owners.